

# SC SERIES

## EMERGENCY LIGHTS

### IMPORTANT SAFEGUARDS

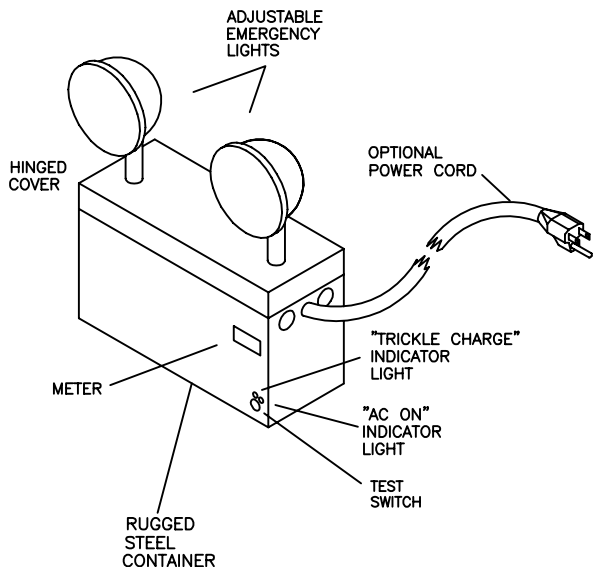
WHEN USING ELECTRICAL EQUIPMENT, BASIC SAFETY PRECAUTIONS SHOULD ALWAYS BE FOLLOWED INCLUDING THE FOLLOWING:

### READ AND FOLLOW ALL SAFETY INSTRUCTIONS

- 1) DO NOT USE OUTDOORS.
- 2) DO NOT LET POWER SUPPLY CORDS TOUCH HOT SURFACES.
- 3) DO NOT MOUNT NEAR GAS OR ELECTRIC HEATERS.
- 4) USE CAUTION WHEN SERVICING BATTERIES. BATTERY ACID CAN CAUSE BURNS TO SKIN AND EYES. IF ACID IS SPILLED ON SKIN OR IN EYES FLUSH WITH FRESH WATER AND CONTACT PHYSICIAN IMMEDIATELY.
- 5) EQUIPMENT SHOULD BE MOUNTED IN LOCATIONS AND AT HEIGHTS WHERE IT WILL NOT BE READILY SUBJECTED TO TAMPERING BY UNAUTHORIZED PERSONNEL.
- 6) THE USE OF ACCESSORY EQUIPMENT NOT RECOMMENDED BY THE MANUFACTURER MAY CAUSE AN UNSAFE CONDITION.
- 7) DO NOT USE THIS EQUIPMENT FOR OTHER THAN INTENDED USE.
- 8) CAUTION: SEALED LAMPS MAY HAVE INNER HALOGEN CYCLE BULB. THIS PRESSURE FILLED INNER BULB COULD SHATTER IF SCRATCHED OR DAMAGED. IF THE OUTER SEALED BEAM IS INTACT, THIS WILL BE NO PROBLEM. IF THE OUTER SEALED ENVELOPE IS BROKEN DO NOT OPERATE BUT REMOVE AND DISPOSE OF LAMP WITH CARE.

### SAVE THESE INSTRUCTIONS

### MOUNTING INSTRUCTIONS



- 1) MOUNT UNIT IN DESIRED LOCATION.
- 2) RUN CONDUIT AND AC WIRES TO UNIT.
- 3) A.C. INPUT CONDUIT KNOCKOUTS ARE PROVIDED ON THE SIDE AND THE BACK OF THE CONTAINER OR CORD PLUG CONNECTION USING STRAIN RELIEF KNOCKOUT. ALTERNATE KNOCKOUTS FOR REMOTE LAMP CONNECTIONS ARE PROVIDED.
- 4) CONNECT BATTERY TO UNIT ( BATTERY(-) TO BLACK WIRE FROM CIRCUIT BOARD, BATTERY(+) TO THE RED WIRE FROM CIRCUIT BOARD ).
- 5) INSTALL THE BATTERY(S) INTO THE CONTAINER WITH THE BATTERY TERMINALS IN THE DIRECTION OF THE CIRCUIT BOARD OR THE TOP OF THE CONTAINER.
- 6) CONNECT UNIT TO AN UNSWITCHED SINGLE A.C. POWER SOURCE OF 120VAC OR 277VAC.  
FOR 120 VOLT CONNECTION. CONNECT 120V AC WIRE TO THE BLACK TRANSFORMER WIRE AND COM TO WHITE TRANSFORMER WIRE.  
FOR 277 VOLT CONNECTION. CONNECT THE 277V WIRE TO THE VIOLET TRANSFORMER WIRE AND COM TO WHITE TRANSFORMER WIRE.  
ISOLATE UNUSED BLACK (120V) OR VIOLET (277V) TRANSFORMER WIRE USING WIRE NUT PROVIDED ON VIOLET (277V) WIRE.
- 7) GROUND UNIT IN ACCORDANCE WITH THE REQUIREMENTS OF THE NATIONAL ELECTRICAL CODE.
- 8) REPLACE FRONT COVER ON CONTAINER AND TIGHTEN HEX HEAD SCREWS.
- 9) APPLY A.C. POWER TO THE UNIT. THE RED PILOT LIGHT SHOULD TURN ON INDICATING " AC ON ". PUSH THE TEST SWITCH THE EMERGENCY LIGHT(S) SHOULD LIGHT UP.
- 10) WITHIN 24 HOURS THE GREEN LED SHOULD BE BRIGHTLY ILLUMINATED INDICATING A TRICKLE CHARGE.
- 11) RECORD MODEL NUMBER, SERIAL NUMBER AND INSTALLATION DATE ON THE TEST SERVICE LOG CARD. PERFORM INITIAL TEST AND RECORD AS REQUIRED BY THE NATIONAL ELECTRICAL CODE.

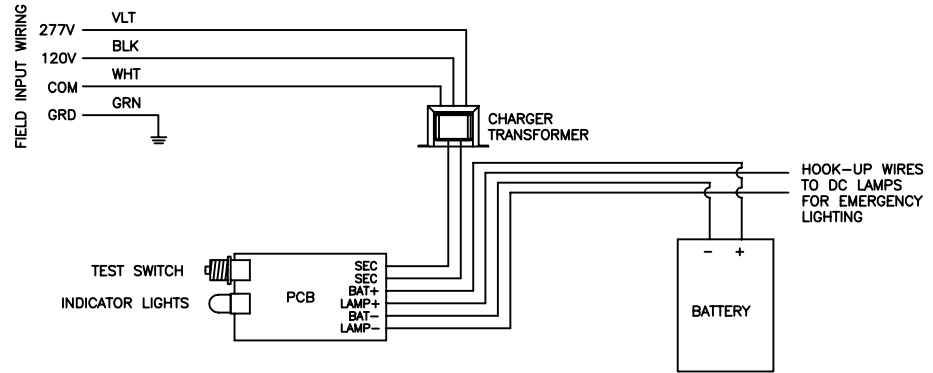
**WARNING - READ CAREFULLY**

**WARRANTY VOID IF DIRECTIONS NOT FOLLOWED**

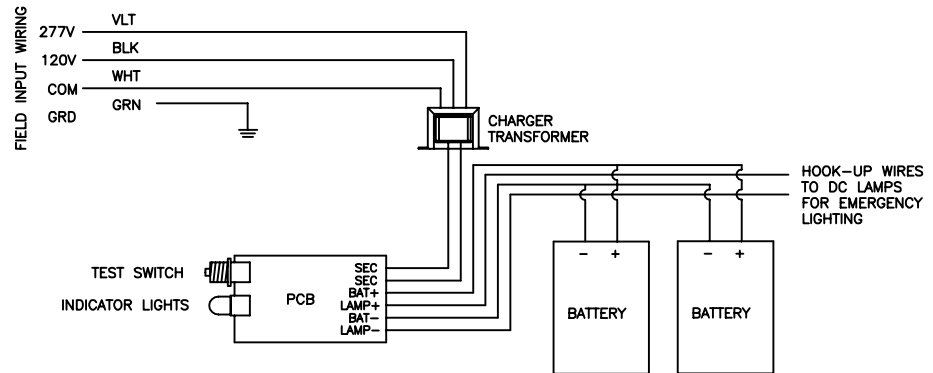
# ELECTRICAL DIAGRAMS

NOTE: SERVICING SHOULD BE PERFORMED BY QUALIFIED SERVICE PERSONNEL. IF THE UNIT MALFUNCTIONS, DISCONNECT FROM POWER SUPPLY AND CONTACT BIG BEAM EMERGENCY SYSTEMS, INC. OR THE LOCAL BIG BEAM EMERGENCY SYSTEMS, INC. REPRESENTATIVE, WRITTEN AUTHORIZATION MUST BE OBTAINED PRIOR TO THE PREPAID RETURN OF ANY EQUIPMENT. THE BATTERY(S) MUST ALWAYS BE PROPERLY MARKED AND SHIPPED SEPARATELY.

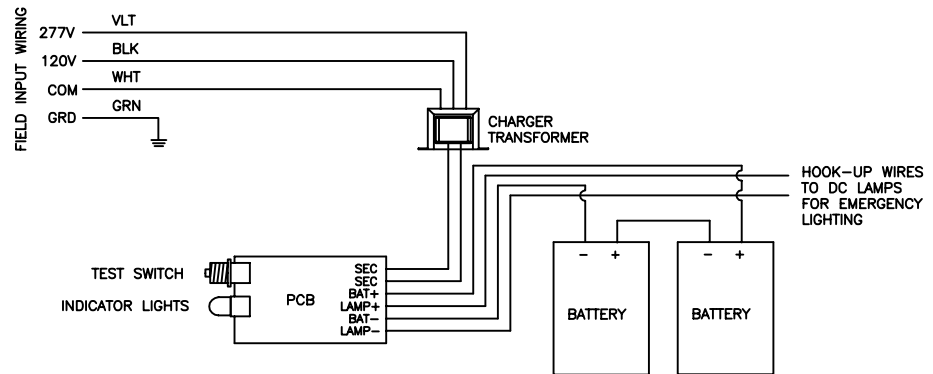
## SC6S8, SC6S10, SC6S36 & SC12S15



## SC6S16 & SC6S20



## SC12S7 & SC12S10



**BIG BEAM  
EMERGENCY SYSTEMS, INC.**  
290 EAST PRAIRIE STREET, P.O. BOX 518  
CRYSTAL LAKE, IL 60039-0518  
PHONE: (815) 459-6143  
FAX: (815) 459-6126  
web site [www.bigbeam.com](http://www.bigbeam.com)  
email [info@bigbeam.com](mailto:info@bigbeam.com)